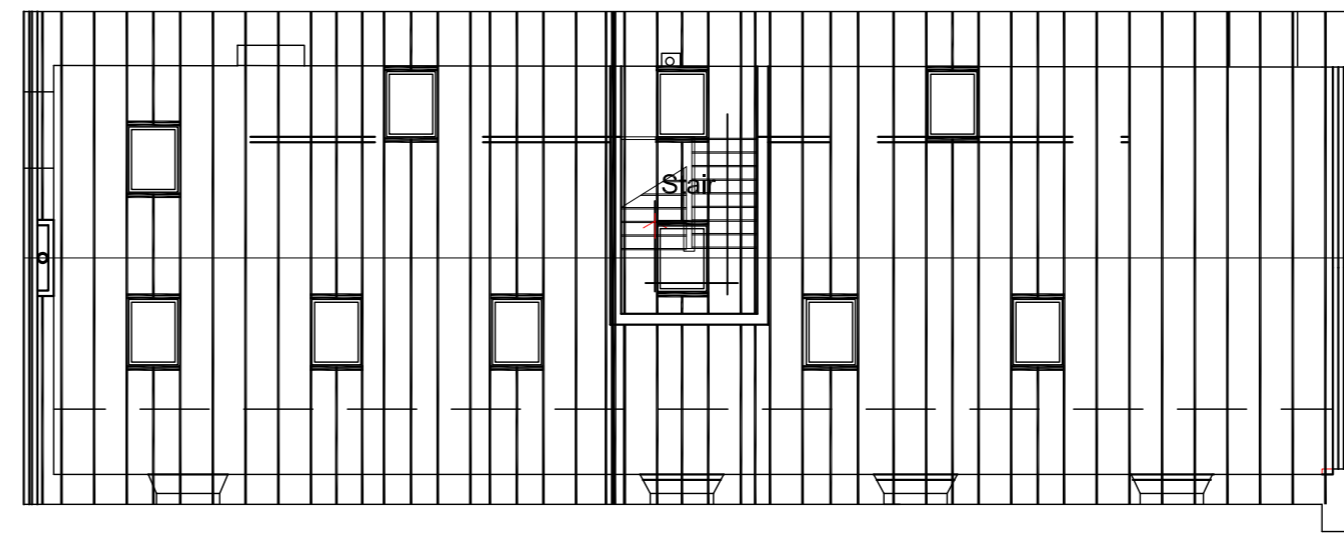
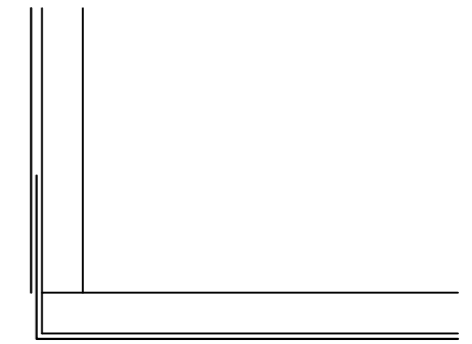


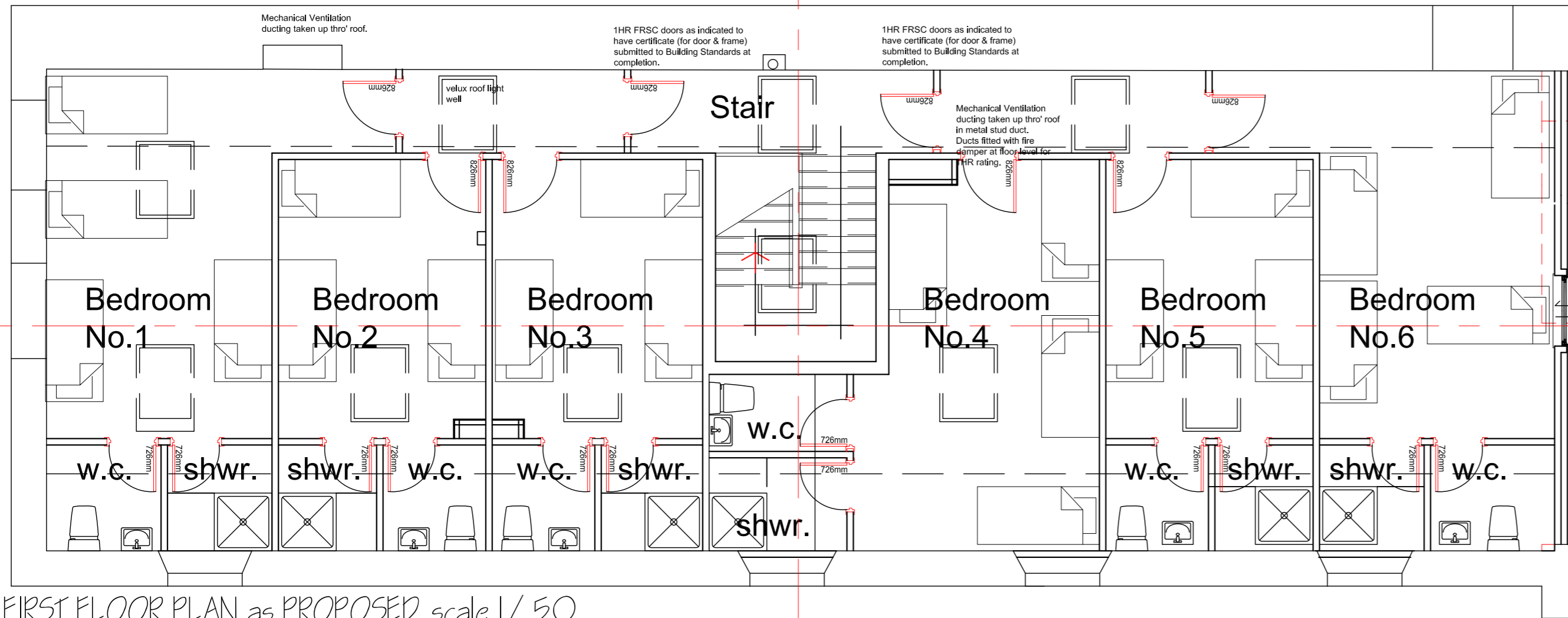
ROOF PLAN as PROPOSED scale 1/100



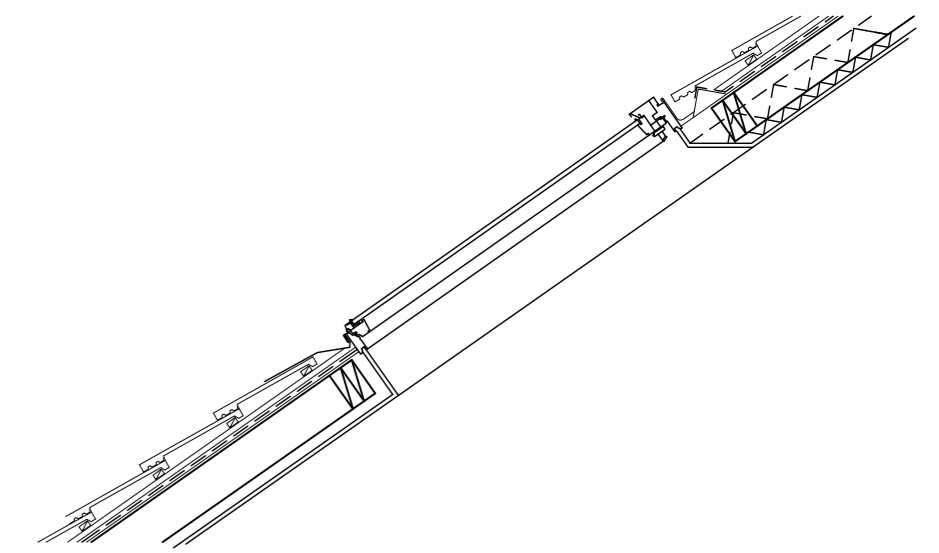
NOTIONAL ROOF TIMBERS PLAN as PROPOSED scale 1/100



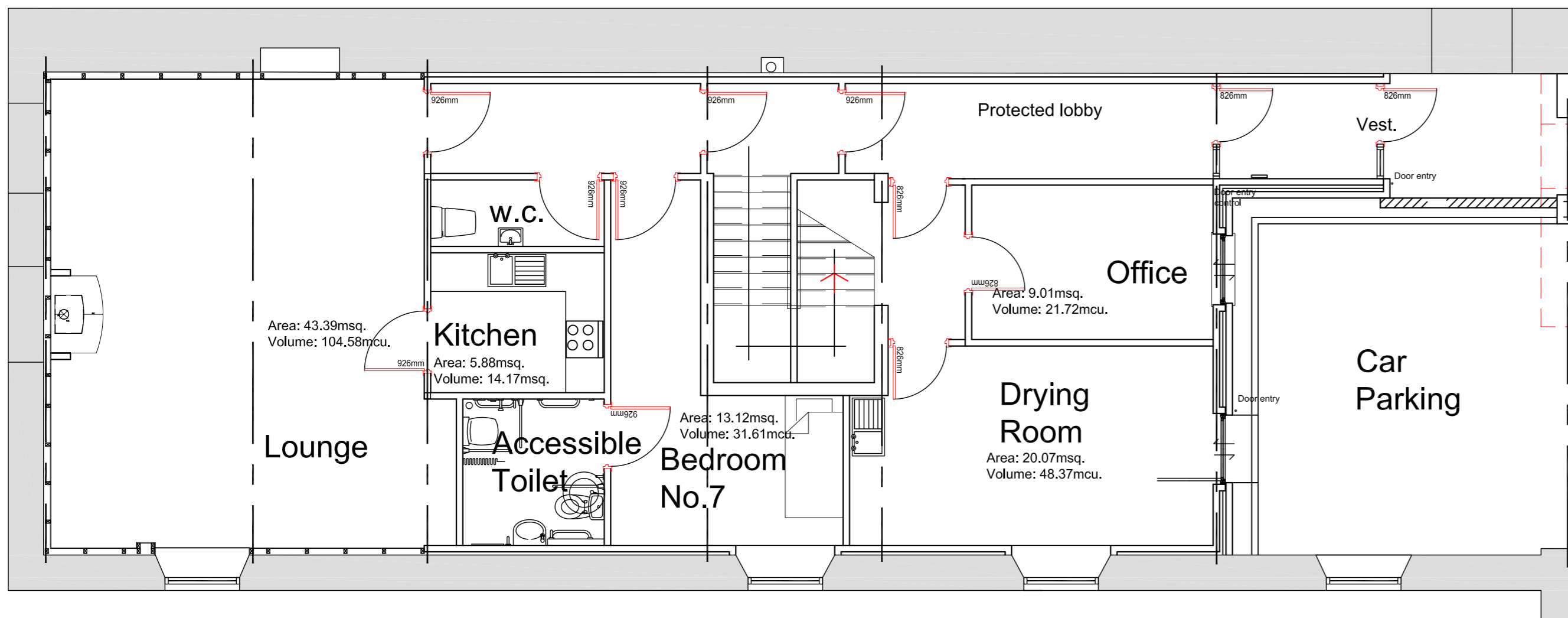
DPM DETAIL AT FLOOR scale 1/20



FIRST FLOOR PLAN as PROPOSED scale 1/50



VELUX ROOFLIGHT DETAIL scale 1/20



GROUND FLOOR PLAN as PROPOSED scale 1/50