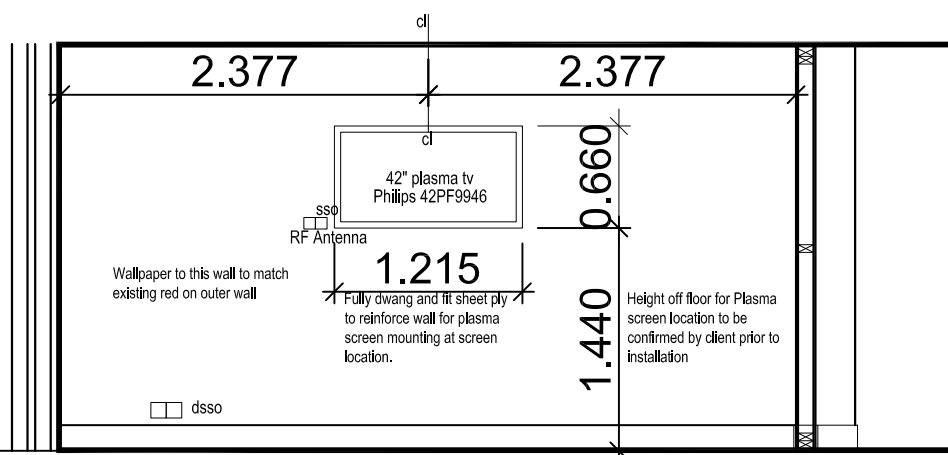
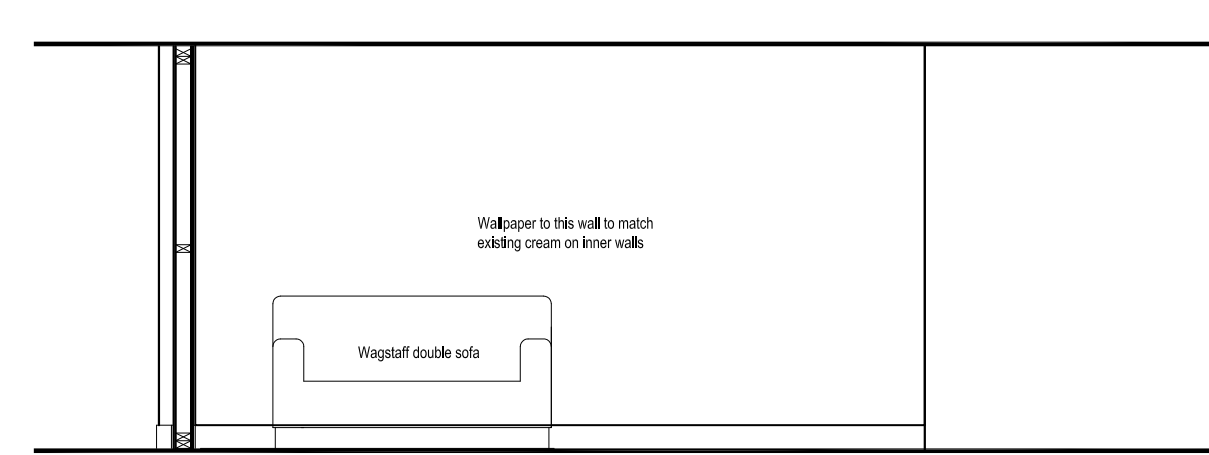


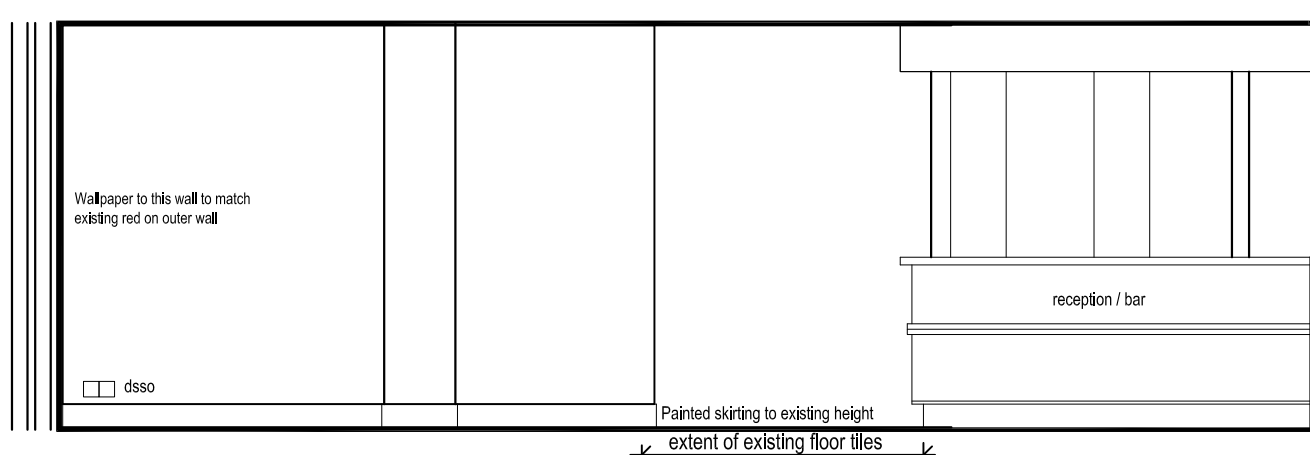
Proposed Alterations to form Ground Floor - Phase 1 & 3 which includes bar screens



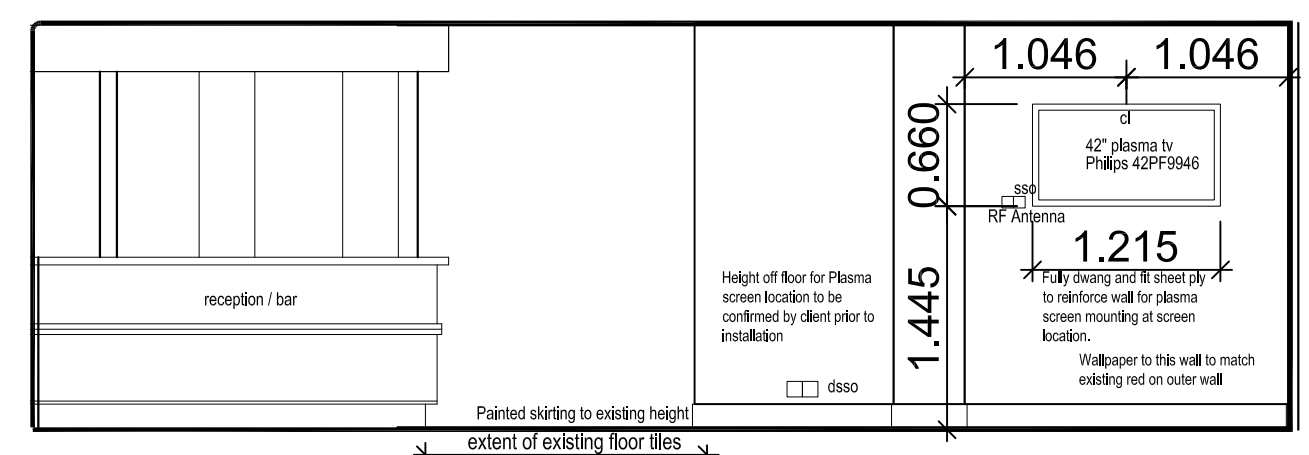
Elevation on S5 scale 1/50



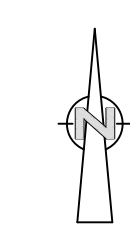
Elevation on S4 & S3 scale 1/50



Elevation on S1 & S2 from seating scale 1/50



Elevation on S1 & S2 from bar scale 1/50



ENTRANCE  
NOTES:-